

JSP – 400

HEAVY DUTY FOR SERVICE ENTRANCE APPLICATIONS



AVAILABLE CONFIGURATIONS

Model Number	Voltage	Configuration
JSP400-1P120	120V	1-Phase, 2-Wire + Ground
JSP400-1P240	240V	1-Phase, 2-Wire + Ground
JSP400-1S240	120/240V	2-Phase, 3-Wire + Ground
JSP400-3Y208	120/208V	3-Phase Wye, 4-Wire + Ground
JSP400-3Y380	220/380V	3-Phase Wye, 4-Wire + Ground
JSP400-3Y415	240/415V	3-Phase Wye, 4-Wire + Ground
JSP400-3Y480	277/480V	3-Phase Wye, 4-Wire + Ground
JSP400-3Y600	347/600V	3-Phase Wye, 4-Wire + Ground
JSP400-3H240	120/240V	3-Phase High-Leg, 4-Wire + Ground
JSP400-3D240	240V	3-Phase Delta, 3-Wire + Ground
JSP400-3D380	380V	3-Phase Delta, 3-Wire + Ground
JSP400-3D480	480V	3-Phase Delta, 3-Wire + Ground
JSP400-3D600	600V	3-Phase Delta, 3-Wire + Ground

Units suitable for TT and IT grounded power systems available upon request. Consult factory for model number.

Warranty

10-years (Optional 15-years)

Available Options

Surge Counter	Add suffix -B
Transient Filter	Add suffix -F (Meets UL 1283*)
Stainless Steel Enclosure	Add suffix -S

*Not recommended when using telecommunication rectifiers.

EMI/RFI Filter Attenuation

Max. Attenuation Frequency	41dB @ 106kHz
----------------------------	---------------

FEATURES AND BENEFITS

- Listed to UL 1449 3rd Edition for a Type 1 and Type 2 SPD application.
- Fail-safe design with individually fused Metal Oxide Varistors (MOVs) eliminating single point failure, protecting against both overcurrent and overvoltage events.
- 200kAIC short circuit rating permits direct bus connection to most electrical services.
- Low let through voltage ensured by the lowest possible impedance path to ground and equal current sharing during surge events.
- All weather sealed, powder-coated NEMA 4/IP65 housing is designed for any orientation and indoor/outdoor applications.
- 10-year standard warranty with optional 15-year extended warranty.

PRODUCT SPECIFICATIONS

Electrical

Maximum Surge Current Rating	400kA per phase, 200kA per mode
Nominal Discharge Current Rating (I-n)	20kA
Operating Frequency	47–63Hz
Connection Method	Parallel to electrical distribution system
Modes of Protection	All Modes (L-N, L-G, N-G, L-L)
Fault Rating (SCCR)	200kAIC – no upstream over-current protection device (breaker or fuse) required
Response Time	Less than 1 nanosecond
Standard Monitoring	Status indicator lights (one per phase) Standard Dry (From C) Relay Contacts Audible Alarm with Silence Button

Mechanical

Weight	40 lbs. (9 kg)
Enclosure Type	Powder coated, impact-resistance steel, weather-proof NEMA 4
Installation Location	Indoor / Outdoor
Mounting Method	Dual mounting flanges
Operating Environment	-40° to +185°F (-40° to +70°C)
Altitude	Up to 13,000 ft. (4000 m)
Product Design	Parallel design with individually fused MOVs

Regulatory

UL 1449 3rd Edition Type	Type 1
UL 1283	Yes
IEEE C62.41.1, .2, C62.45	Yes
Listed By	UL
CE	Yes

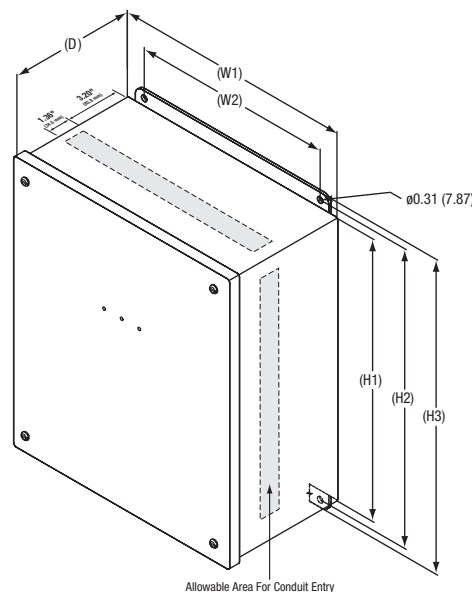
SURGE PROTECTIVE DEVICES

JSP 400 PERFORMANCE DATA

ANSI/IEEE C62.41.1-2002, C62.41.2-2002, & C62.45-2002 Measured Limiting Voltage

Model Number	Voltage Configuration	Protection Mode	MCOV	B3 Ring Wave 6kV, 500A	B3/C1 Combo Wave 6kV, 3kA	C3 Combo Wave 20kV, 10kA	UL 1449 3rd Edition 6kV, 3kA VPR
JSP400-1P120	1P120	L-N	150V	464V	502V	907V	800V
		L-G	150V	672V	627V	1173V	800V
		N-G	150V	512V	568V	1090V	800V
JSP400-1P240	1P240	L-N	320V	427V	828V	1170V	1200V
		L-G	320V	944V	996V	1540V	1200V
		N-G	320V	848V	899V	1500V	1200V
JSP400-1S240	1S240	L-N	150V	464V	502V	907V	800V
		L-G	150V	672V	627V	1173V	800V
		L-L	300V	576V	864V	1267V	1200V
JSP400-3Y208	3Y208	N-G	150V	512V	568V	1090V	800V
		L-N	150V	464V	502V	907V	800V
		L-G	150V	672V	627V	1173V	800V
JSP400-3Y380	3Y380	L-L	300V	576V	864V	1267V	1200V
		N-G	150V	512V	568V	1090V	800V
		L-N	320V	427V	828V	1170V	1200V
JSP400-3Y415	3Y415	L-G	320V	944V	996V	1540V	1200V
		L-L	640V	555V	1497V	1950V	1800V
		N-G	320V	848V	899V	1500V	1200V
JSP400-3Y480	3Y480	L-N	320V	427V	828V	1170V	1200V
		L-G	320V	944V	996V	1540V	1200V
		L-L	640V	555V	1497V	1950V	1800V
JSP400-3Y600	3Y600	N-G	320V	848V	899V	1500V	1200V
		L-N	420V	715V	1250V	1910V	1500V
		L-G	420V	829V	1340V	1960V	1500V
JSP400-3H240	3H240	L-L	840V	1130V	2300V	2910V	2500V
		N-G	420V	670V	1230V	1880V	1500V
		L-N	150V	464V	502V	907V	800V
JSP400-3H240	3H240	H-N	320V	427V	828V	1170V	1200V
		L-G	150V	672V	627V	1173V	800V
		H-G	320V	944V	996V	1540V	1200V
JSP400-3D240	3D240	L-L	320V	576V	864V	1267V	1200V
		H-L	470V	980V	1250V	1640V	1500V
		N-G	150V	512V	568V	1090V	800V
JSP400-3D380	3D380	L-G	320V	750V	940V	1650V	1200V
		L-L	320V	630V	1020V	1680V	1200V
JSP400-3D480	3D480	L-G	550V	1050V	1450V	2160V	1800V
		L-L	550V	860V	1670V	2470V	1800V
JSP400-3D600	3D600	L-G	750V	1245V	1960V	2760V	2500V
		N-G	750V	1060V	2260V	2960V	2500V

All JSP™ systems measured limited voltages are peak values (±10%) measured from the zero reference point and are in compliance with test and evaluation procedures outlined in NEMA LS1-1992 (2000), paragraphs 2.210 and 3.10.



DIMENSIONS

Dim	Inches (mm)
H1	14.00 (355.6)
H2	14.75 (374.7)
H3	15.50 (393.7)
W1	12.00 (304.8)
W2	10.00 (254.0)
D	6.20 (157.5)





Energía Verde RMS

Ahorra y contribuye con tu ambiente [®]

General Miguel Barragán #814
Aguascalientes, Ags.
01 (449) 145 2028
energiaverderms.com.mx